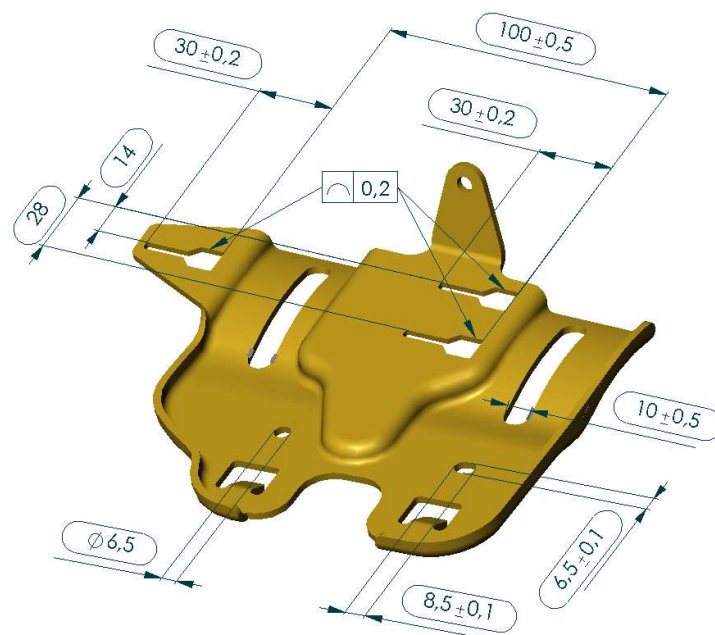


## Special form plug gauges for OK/NOK test



- Production according to PREMETEC standard (customised as per customer drawing on request)
- For geometric dimensions / shape and position tolerances e.g. position, distance dimensions, line shape, sections, slot holes
- Plug gauge made of tool steel (hardened)
- 100 mm long handle made of aluminium, black anodised with knurling, engraved inscription, M4 thread in the centre for individual attachment
- Including factory test certificate (DAkkS calibration certificate on request)
- Manufacturing accuracy as per DIN ISO 286

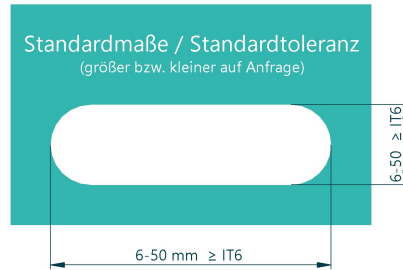


## Pair of form plug gauges – for 2 dimensions (e.g. slot hole)



### Pair of form plug gauges BK342

Pair consisting of 1 no go plug gauge and 1 go plug gauge

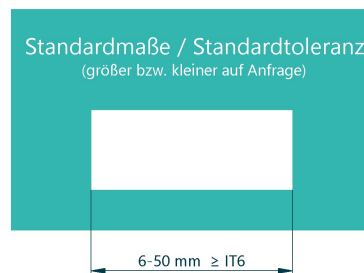


## Form plug gauge – for 1 dimension



### Form plug gauge BK346

Model with go side and no go side

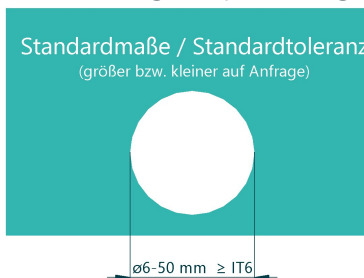


## Step gauge – for bore diameters



### Step gauge BK341

Model with go step and no go step



## Go gauge – e.g. for position measurements / shape and position tolerances



### Go gauge BK344

- Model with customised shape
- as per customer drawing or Premetec construction